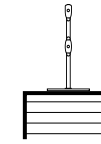




# Nixalite® FliteLine Post Row Spacing Double Exposed Installation Surfaces

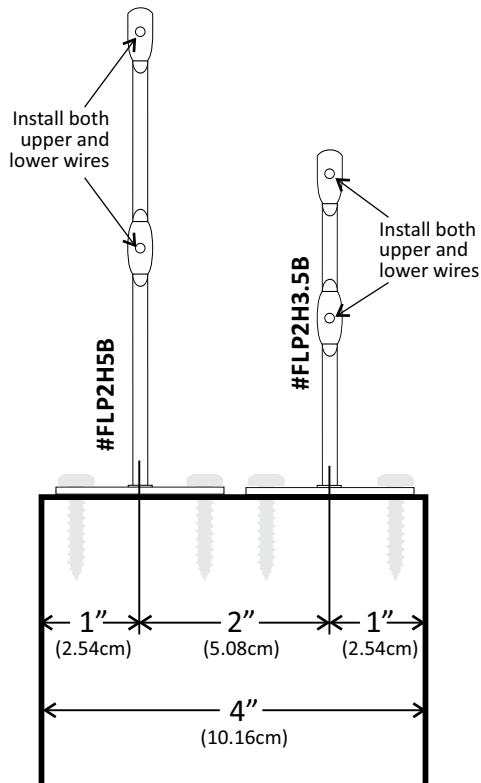


**Double Exposed**  
Any surface without any bordering walls or blocking objects (except for diameters - pipes, cables, etc.)

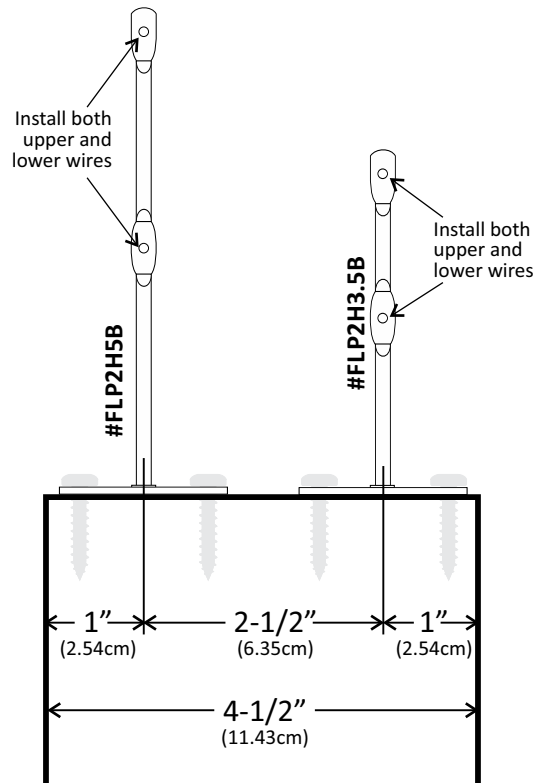
Scale: 1/2" = 1"

Metric equivalents in centimeters (cm)

**4" (10.16cm)**  
Surface Depth



**4-1/2" (11.43cm)**  
Surface Depth



**5" (12.70cm)**  
Surface Depth

